

AZO standard feeding hopper type ET...F with leg supports

Intensive dust extraction with generously sized filters

Ergonomic bag handling

Dust-free bulk materials feeding

Reliable vibration bottom discharge

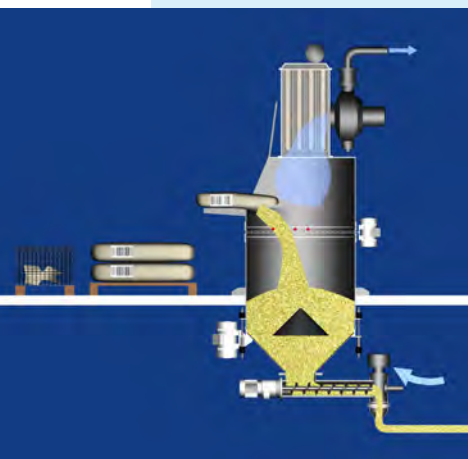
Preferred applications

Feeding of powdery or granular bulk materials and feeding into closed material handling or pneumatic conveying systems. AZO standard feeding hoppers can be used for foodstuffs, plastics, chemicals and pharmaceuticals with highest requirements, because of the availability of different materials and surface finishes.

Special advantages

- Round and sturdy
- Without dead corners
- Availability either in epoxy-coated mild steel or in stainless steel with 6 different surface finishes
- Individual filter or central dust extraction by vacuum
- Option of integrated vibration pre-screen
- Discharge of flow-resistant materials can be supported by rapper, vibrator, vibration bottom or by fluidizing
- Outlet optimally adaptable to downstream systems

THE INNOVATION



Design

AZO standard feeding hoppers are available in two different material versions – mild steel or stainless steel with six different surface finishes. The feeding hopper is equipped with a tight-closing, lockable cover with vacuum valve, a gas pressure spring for fixing the cover as well as a grid and a bag support. Leg supports are used for erection,

which are designed according to the building situation.

The hoppers are available either with mounted filters or with central aspiration. It is possible to integrate a vibration pre-screen for entry control. The hopper outlet is equipped with a flange for downstream systems like rotary feeders, screeners etc. Discharge of flow-resistant

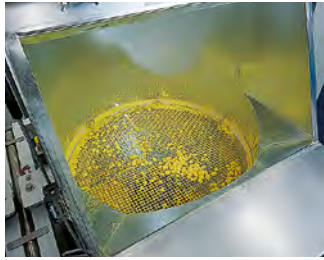
products can be supported by using a rapper, vibrator or vibration bottom or by fluidization. The execution highly depends on customer requirements, material used and situation on site.

Optional accessories



Big bag connecting system

For even higher flexibility, the feeding hopper can be equipped with a big bag connecting system. On hoppers with mounted filter, the big bag is connected laterally.



Vibration pre-screener

For flow-resistant and lumpy materials, it is useful to equip the pickup hopper with a vibration pre-screener. It loosens the product and breaks up lumps.



Empty-bag compacting system

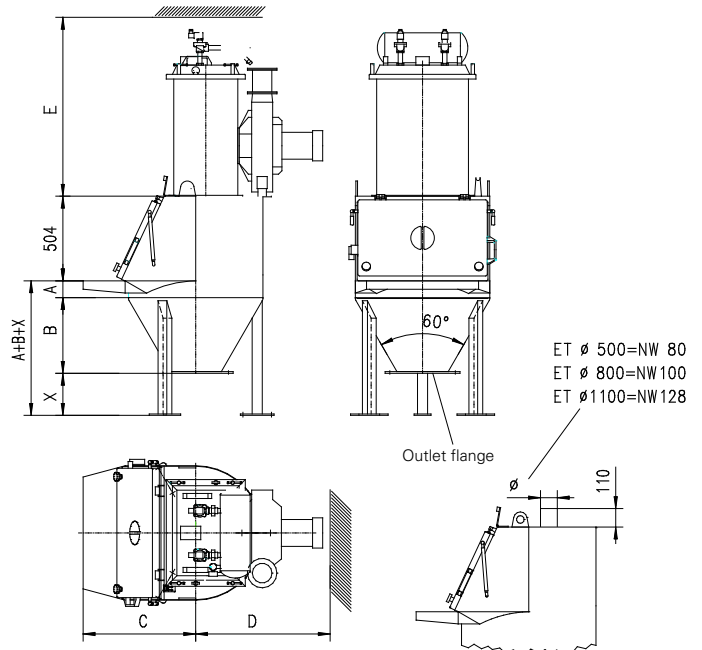
After residue-free emptying, the bags are inserted into a system beside the hopper, where a pneumatic cylinder compresses them into a compact bundle in a sack.



Discharge with vibration bottom

It is advisable to use a vibration bottom, a vibrator or a rapper for flow-resistant materials.

Technical data



X = Dimension as required

How it works

When opening the cover aspiration starts automatically. The bag is placed on the pick-up table, opened and emptied into the closed system by the operator, causing minimal dusting. If a mounted filter is used, the filter dust settles back into the hopper; with a central filter station, small amounts of dust are sucked into the central filter, where they are collected. The concept, which is most economical, is depending on the particular task customer requires.

Type	Ø	A	A1	B with discharge					C	D	E
				Ø 205	Ø 255	Ø 305	Ø 505	Ø 800			
ET 50 F	500	100	280	235	190	—	—	520	—	—	—
ET 100 F	500	400	280	235	190	—	—	520	—	—	—
ET 150 FF	800	100	535	495	445	270	—	670	800	1500	1500
ET 250 FF	800	300	535	495	445	270	—	670	800	1500	1500
ET 350 FF	1100	120	795	765	725	555	295	822	900	1500	1500