

AZO lump breaker type KB 500 R in round design

**Sturdy, compact
design**

Gentle crushing

**Low-wear and
energy-saving**

**Various
construction
materials are
available**

Preferred applications

The unit is used for crushing and milling bulk materials with a tendency to form agglomerates, clods and lumps.

Special advantages

The sturdy but compact design of the lump breaker, take care for a reliable and gentle crushing of clods and lumps. This unit is designed energy-saving and with low wear. It is available in various construction materials and surface finishings.

Design

The AZO lump breaker consists of a sturdy housing with inlet and outlet flanges, crushing device and a gear motor mounted laterally. The unit is available with the construction material no. 1.4301 or 1.4404 and various surface finishings including electrolytic polish.

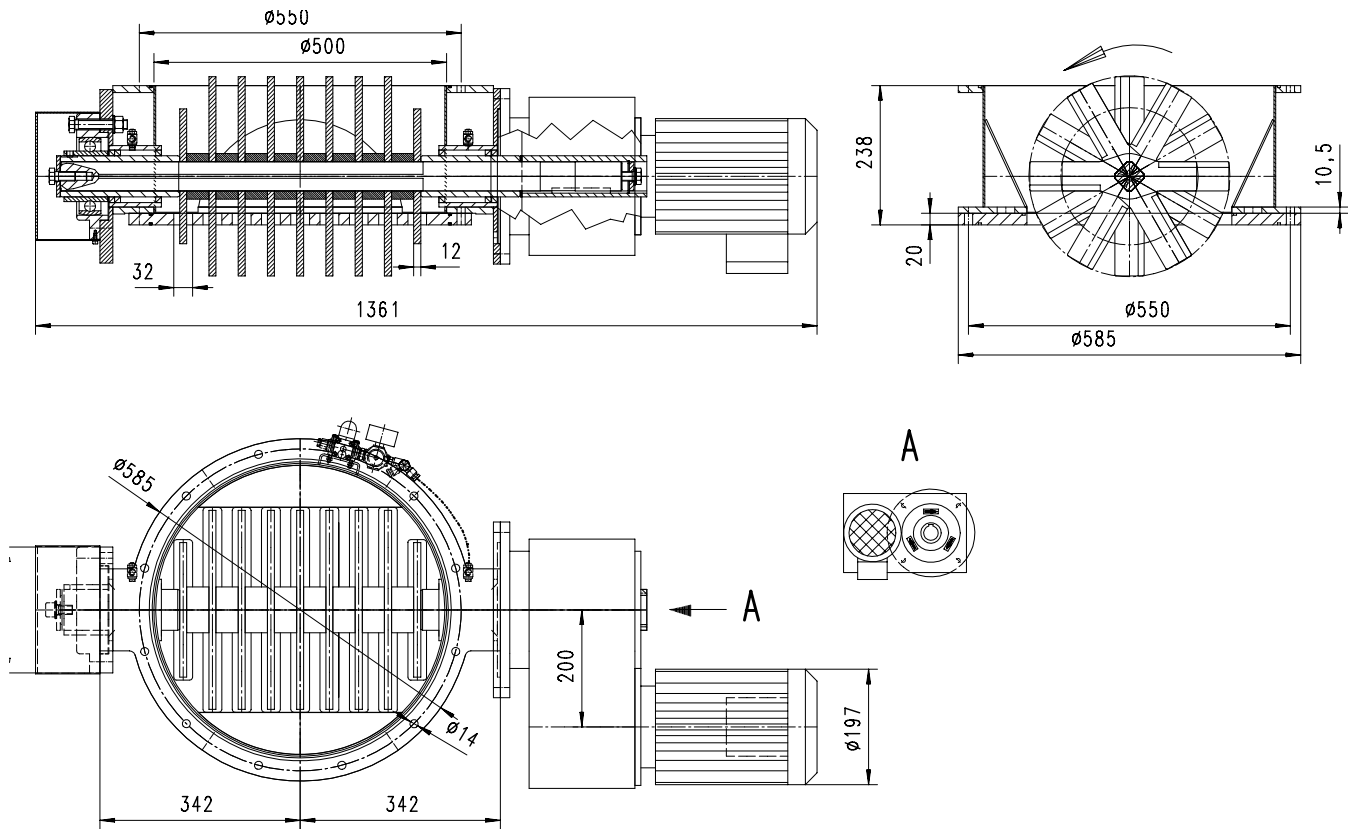
THE INNOVATION



How it works

Bulk materials containing agglomerates, clods or lumps, are fed into the AZO lump breaker via the inlet. The product is crushed by the crushing device and transferred to the following production process via the passing sieve.

Technical data



Lump breaker type KB 300 R:

Mounting position:	horizontal
Weight:	approx. 200 kg
Throughput capacity:	depending on product
Product temperature:	max. 80°C
Ambient temperature:	0 °C up to + 40 °C

Drive

Drive speed:	22 rpm (50 Hz) 26 rpm (60 Hz)
Output:	2.2 kW
System voltage:	220-242 V delta / 380-420 V star (50 Hz) 254-277 V delta / 440-480 V star (60 Hz)
Rated current:	8.60 / 4.95 A (50 Hz) 7.20 / 4.20 A (60 Hz)
Insulation class:	F
Protection type:	IP 54
Energy-efficient:	IE2

Construction material data:

Available with the materials 1.4301 or 1.4404 and various surface finishings including electrolytic polish.